

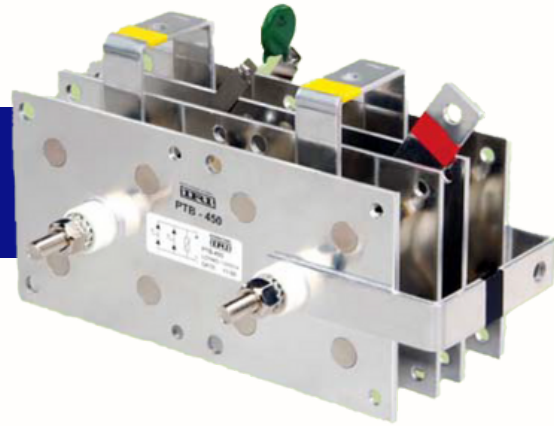
Insel Rectifiers (India) Pvt. Ltd.

151, 152 Udyog Kendra Extn II, Ecotech III
Greater Noida: 201306, U.P., India

☎ 1800 3070 9989 ✉ insel@rectifierindia.com

🌐 www.rectifierindia.com

THREE PHASE BRIDGE RECTIFIERS PTB(S)-450



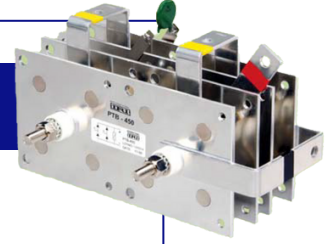
FEATURES

- ☞ **Button diodes with heat sink**
- ☞ **Thermo state & M.O .V.**
- ☞ **Compact size**
- ☞ **Low cost**

TYPICAL APPLICATIONS

- ☞ **Co2 - welding machine**
- ☞ **DC power supplies**

**THREE PHASE
 BRIDGE RECTIFIERS
 PTB(S)-450**



TECHNICAL DATA

DEVICE TYPE

V_{RRM}
(V)

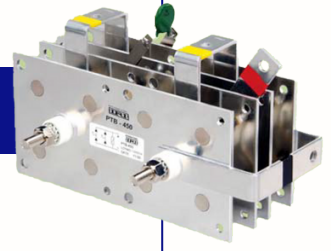
V_{RSM}
(V)

PTB(S)450/600	600	700
----------------------	------------	------------

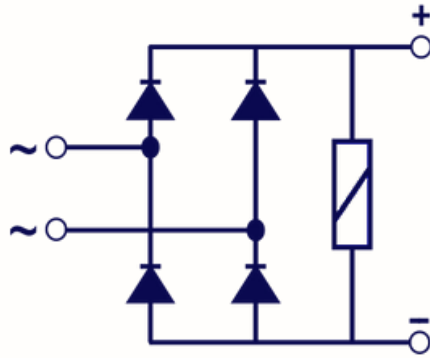
SYMBOL	CONDITIONS	VALUES
$I_{F(AV)}$	Maximum average forward Current $T_c = 100^{\circ}C$	450A
V_{FM}	Maximum peak forward Voltage drop @ 450A	1.30 V
I_{FSM}	Maximum peak one cycle (non-rep.) surge current 10 msec	3600 A
I_{RRM}	Peak reverse current at $T_{vj} = 175^{\circ}C$	20 mA
T_{vj} T_{stg}	Junction temperature Storage temperature	140 °C 140 °C
Mounting torque		6 Nm/Bolt
Weight	Approx.	1.2 Kg
Duty cycle @ 60%		270 A
Package Outline		IR- 25

**THREE PHASE
BRIDGE RECTIFIERS**

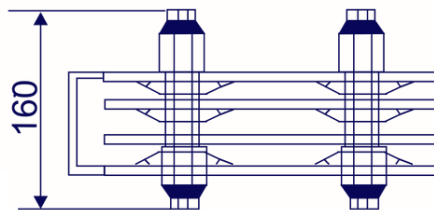
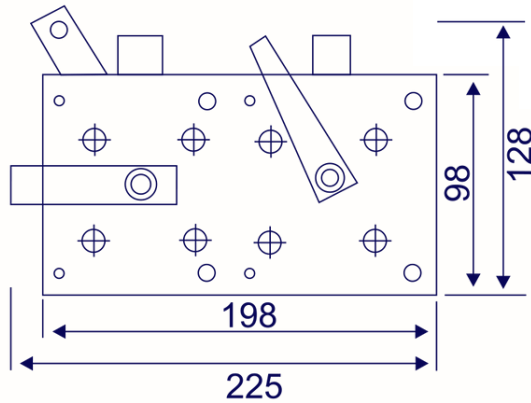
PTB(S)-450



CIRCUIT DIAGRAM



PACKAGE OUTLINE



IR- 25,

all dimensions in mm