

THREE PHASE BRIDGE RECTIFIERS

PTB-600



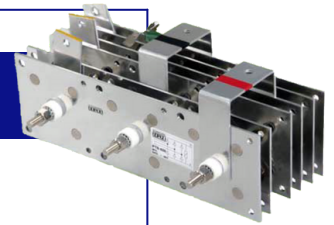
FEATURES

- 👉 **Button diodes with heat sink**
- 👉 **Thermo state M.O .V. & 35 MM Bus bar**
- 👉 **Compact size**
- 👉 **Low cost**

TYPICAL APPLICATIONS

- 👉 **Co2 - welding machine**
- 👉 **DC power supplies**

**THREE PHASE
 BRIDGE RECTIFIERS
 PTB-600**



TECHNICAL DATA

DEVICE TYPE

V_{RRM}
(V)

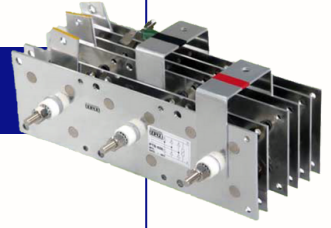
V_{RSM}
(V)

PTB-600/600	600	700
--------------------	------------	------------

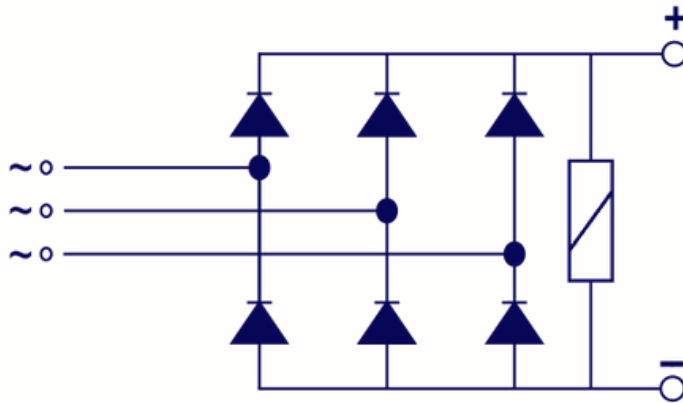
SYMBOL	CONDITIONS	VALUES
$I_{F(AV)}$	Maximum average forward Current $T_c = 100^{\circ}C$	600A
V_{FM}	Maximum peak forward Voltage drop @ 600 A	1.30 V
I_{FSM}	Maximum peak one cycle (non-rep.) surge current 10 msec	4500A
I_{RRM}	Peak reverse current at $T_{vj} = 175^{\circ}C$	22 mA
T_{vj}	Junction temperature	140 °C
T_{stg}	Storage temperature	140 °C
Mounting torque		6 Nm/Bolt
Weight	Approx.	2.6 Kg
Duty cycle @ 60%		360 A
Package Outline		IR- 27

**THREE PHASE
BRIDGE RECTIFIERS**

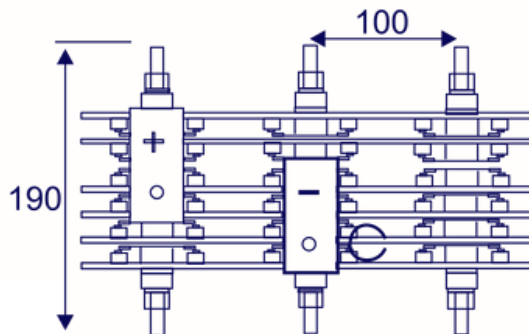
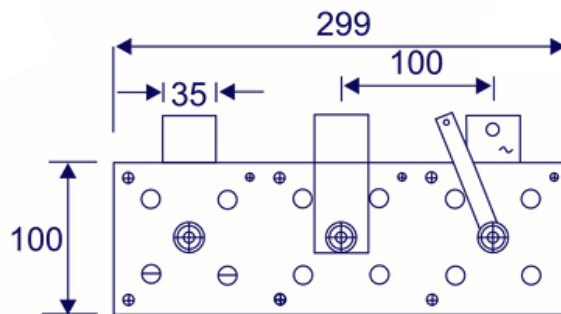
PTB-600



CIRCUIT DIAGRAM



PACKAGE OUTLINE



IR- 27

all dimensions in mm