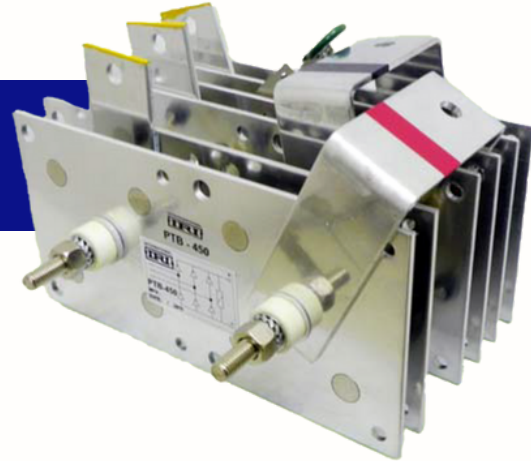


## THREE PHASE BRIDGE RECTIFIERS

### PTB-450



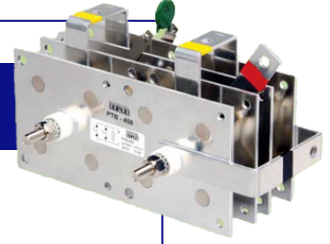
## FEATURES

- 👉 **Button diodes with heat sink**
- 👉 **Thermo state M.O .V. & 35 MM Bus bar**
- 👉 **Compact size**
- 👉 **Low cost**

## TYPICAL APPLICATIONS

- 👉 **Co2 - welding machine**
- 👉 **DC power supplies**

**THREE PHASE  
 BRIDGE RECTIFIERS  
 PTB-450**



TECHNICAL DATA

**DEVICE TYPE**

$V_{RRM}$   
(V)

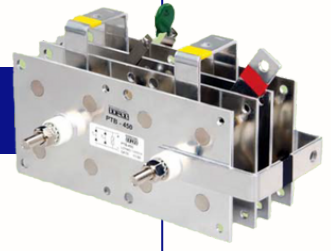
$V_{RSM}$   
(V)

<b>PTB-450/600</b>	<b>600</b>	<b>700</b>
--------------------	------------	------------

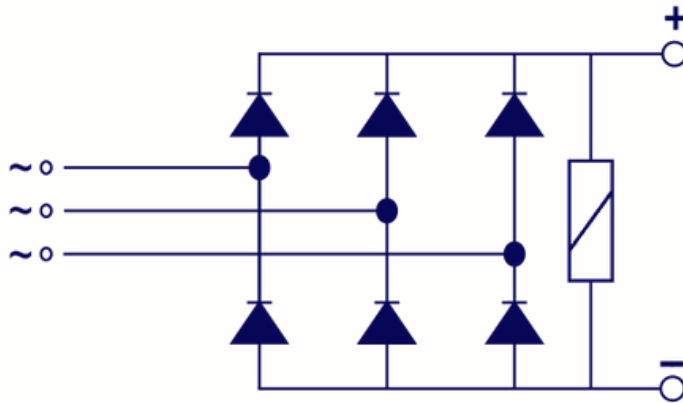
<b>SYMBOL</b>	<b>CONDITIONS</b>	<b>VALUES</b>
$I_{F(AV)}$	Maximum average forward Current $T_c = 100^{\circ}C$	450A
$V_{FM}$	Maximum peak forward Voltage drop @ 450A	1.30 V
$I_{FSM}$	Maximum peak one cycle (non-rep.) surge current 10 msec	3600 A
$I_{RRM}$	Peak reverse current at $T_{vj} = 175^{\circ}C$	20 mA
$T_{vj}$	Junction temperature	140 °C
$T_{stg}$	Storage temperature	140 °C
Mounting torque		6 Nm/Bolt
Weight	Approx.	1.8 Kg
Duty cycle @ 60%		270 A
Package Outline		IR- 26

**THREE PHASE  
BRIDGE RECTIFIERS**

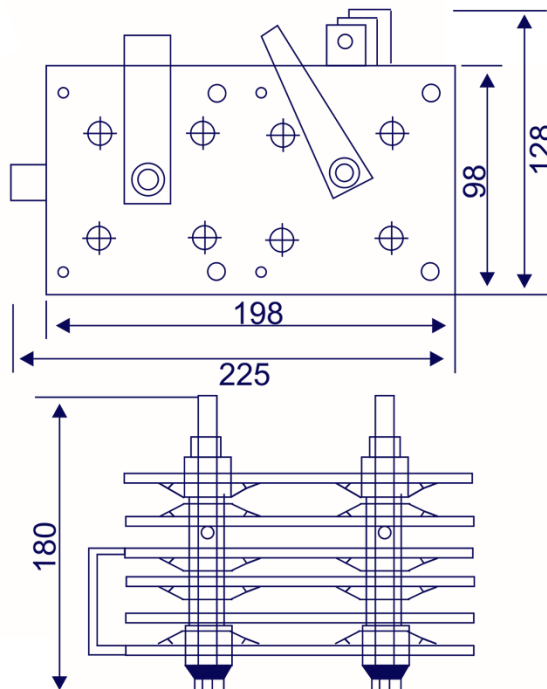
**PTB-450**



CIRCUIT DIAGRAM



PACKAGE OUTLINE



all dimensions in mm

IR- 26