

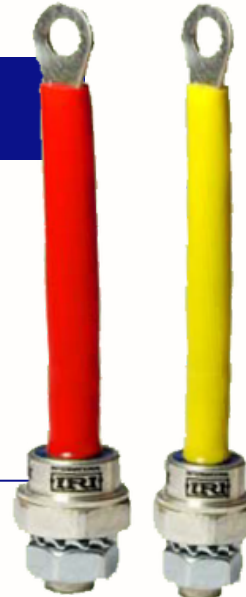
## ROTARY DIODE

**PAO40A**

**PAO40C**

### FEATURES

- 👉 Available in Normal & Reverse Polarity
- 👉 All Diffused Series
- 👉 Industrial Grade



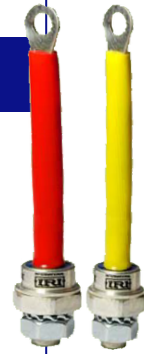
**DO5**

### TYPICAL APPLICATIONS

- 👉 Alternator

## ROTARY DIODE

**PAO40A**  
**PAO40C**



### TECHNICAL DATA

#### DEVICE TYPE

$V_{RRM}$   
(V)

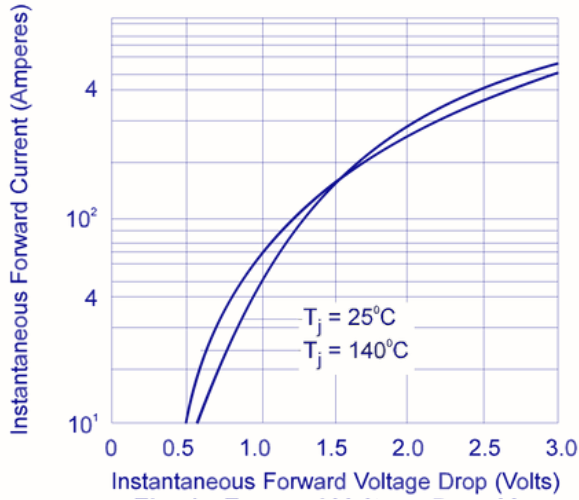
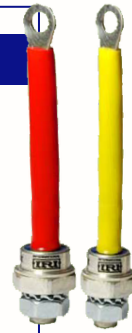
$V_{RSM}$   
(V)

PAO40A/PAO40C	1000	1100
---------------	------	------

SYMBOL	CONDITIONS	VALUES
$I_{F(AV)}$	Maximum average forward Current $T_c = 140^{\circ}C$	40A
$V_{FM}$	Maximum peak forward Voltage drop @ Rated $I_{F(Peak)}$	1.35 V
$I_{FSM}$	Maximum peak one cycle (non-rep.) surge current 10 msec	500 A
$I^2t$	Max. $I^2t$ rating (non-rep.) for 10 msec	1250 A <sup>2</sup> Sec
$I_{RRM}$	Peak reverse current at $T_{vj} = 175^{\circ}C$	10 mA
$V_0$ $R_0$	$T_{vj} = \text{max}$ $T_{vj} = \text{max}$	0.85 V 6.00 m $\Omega$
$R_{th(j-c)}$ $R_{th(c-h)}$ $T_{vj}$ $T_{stg}$	Maximum thermal resistance ( Junction to case) Maximum thermal resistance ( Case to heat sink) Junction temperature Storage temperature	1.0 $^{\circ}C/W$ 0.30 $^{\circ}C/W$ 150 $^{\circ}C$ 160 $^{\circ}C$
Mounting torque		4 Nm
Weight	Approx.	30 gms
Package Outline		0

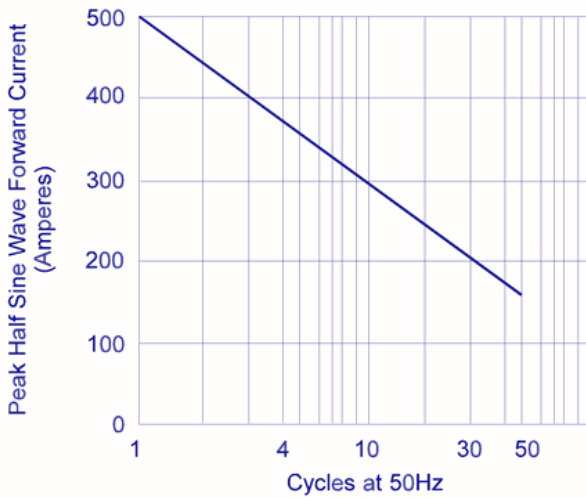
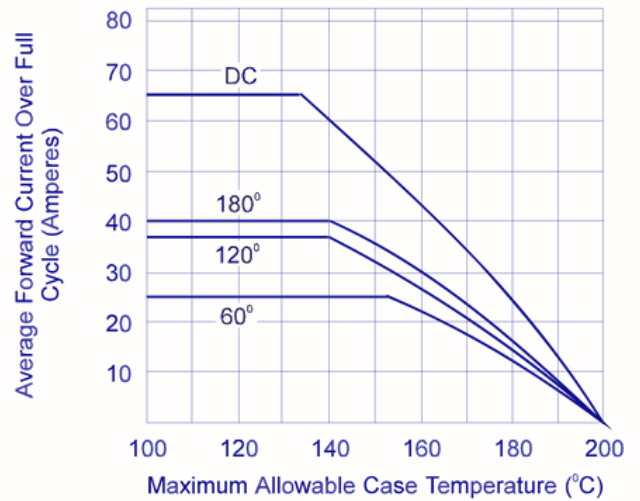
**ROTARY DIODE**

**PAO40A**  
**PAO40C**



**FIG. 1** forward voltage drop vs. forward current

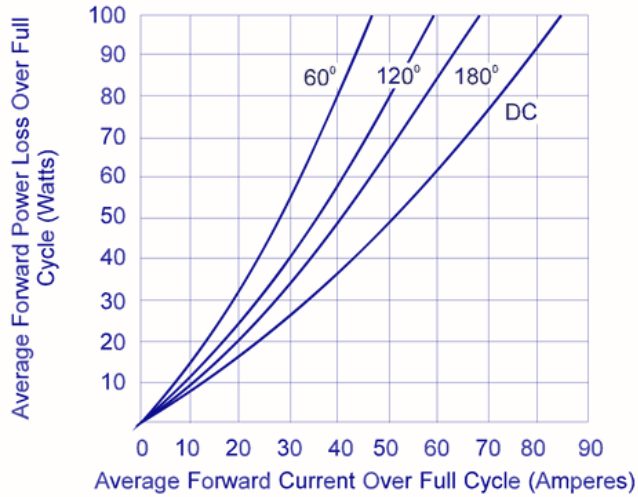
**FIG. 2** average forward current vs. case temperature



**FIG. 3** maximum non-recurrent surge current

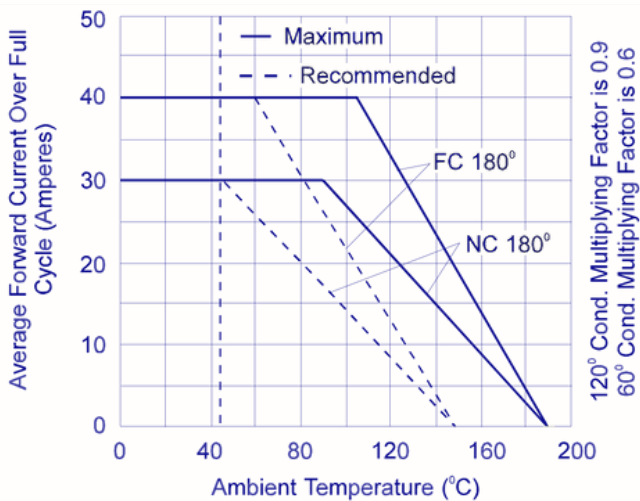
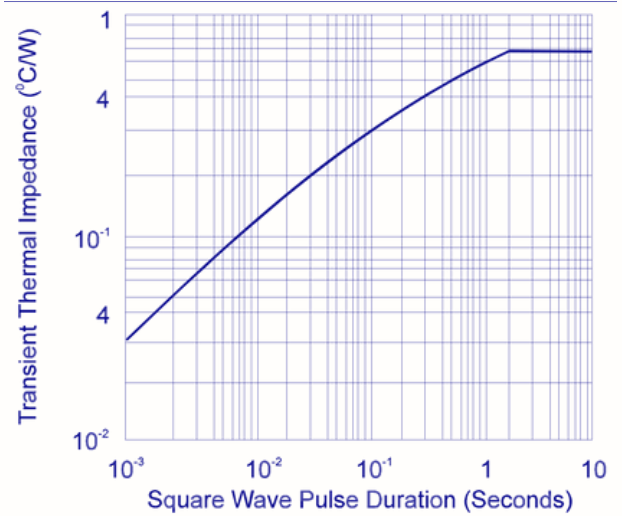
**ROTARY DIODE**

**PAO40A**  
**PAO40C**



**FIG. 4** maximum forward power loss vs. low level forward current

**FIG. 5** transient thermal impedance

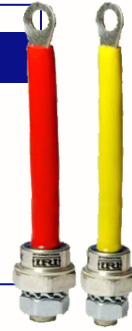


**FIG. 6** diode mounted on heat sink type K3 with  $\theta_{HA-NC}$  2.5°C/W, FC 0.65°C/W

**ROTARY DIODE**

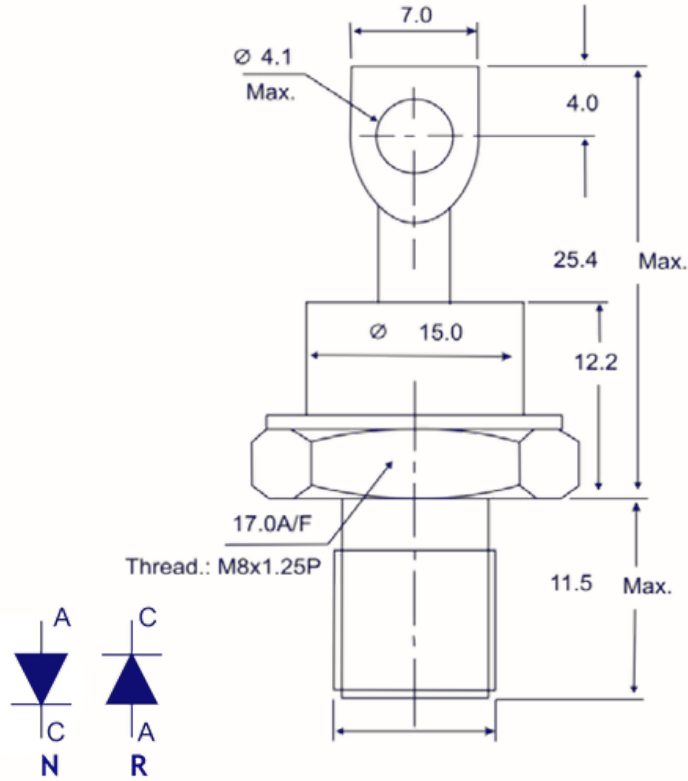
**PAO40A**

**PAO40C**

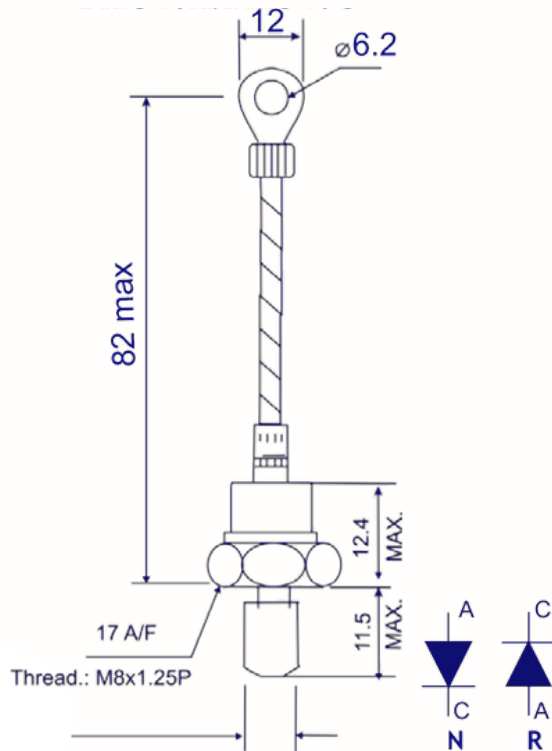


PACKAGE OUTLINE

**WOL**



**WL**



all dimensions in mm