

FEATURES

- Isolated mounting base 2500V-
- Pressure contact technology with Increased power cycling capability
- Space and weight savings
- Welding

TYPICAL APPLICATIONS

- Inverter
- Inductive heating
- Chopper

TECHNICAL DATA

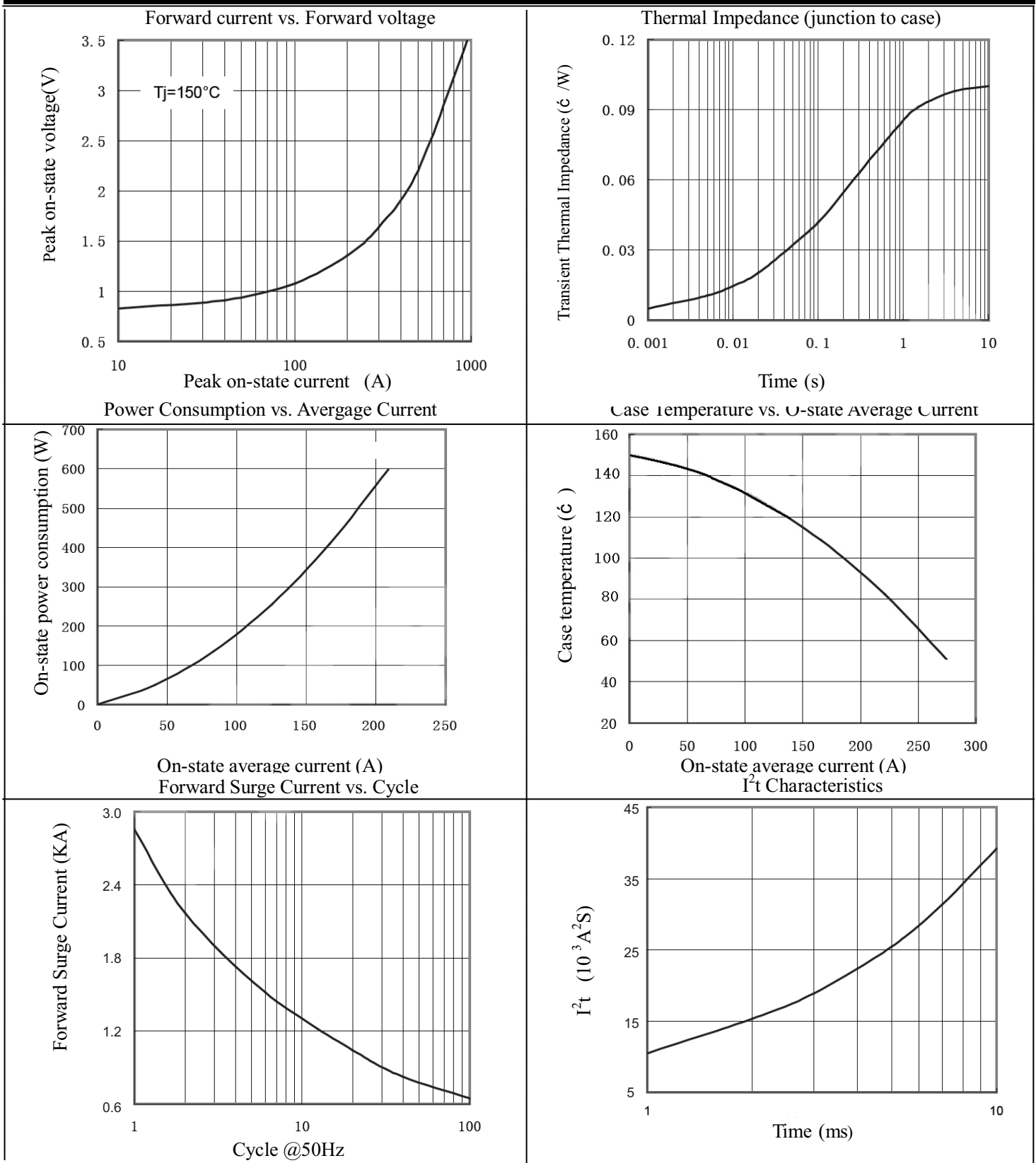
DEVICE TYPE	V_{RRM} (V)	V_{RSM} (V)
MDS300/04	400	500
MDS300/16	1600	1700



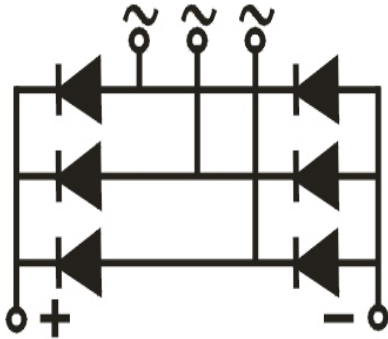
Symbol	Parameter	Test condition	Rating	Unit
I_o	Output DC current	Three-phase whole wave rectifying circuit $T_C:100^{\circ}C$	300	A
I_{FSM}	Forward surge current	$t=10ms, 50HZ, sin, T_{jm}$	2700	A
I^2t	I^2t value	$V_R = 0.6V_{RRM}, T_{jm}$	36500	A^2S
V_{ISO}	Isolation voltage	AC one min	2500	V
T_j	Operating junction temperature		-40 to +150	$^{\circ}C$
T_{jm}	Rated junction temperature		150	$^{\circ}C$
T_{stg}	Storage temperature		-40 to +125	$^{\circ}C$
M_d	Mounting torque (copper plate) M6		4	N·m
	Mounting torque (terminal) M6		6	N·m
W_t	weight		430	g

Electrical characteristics

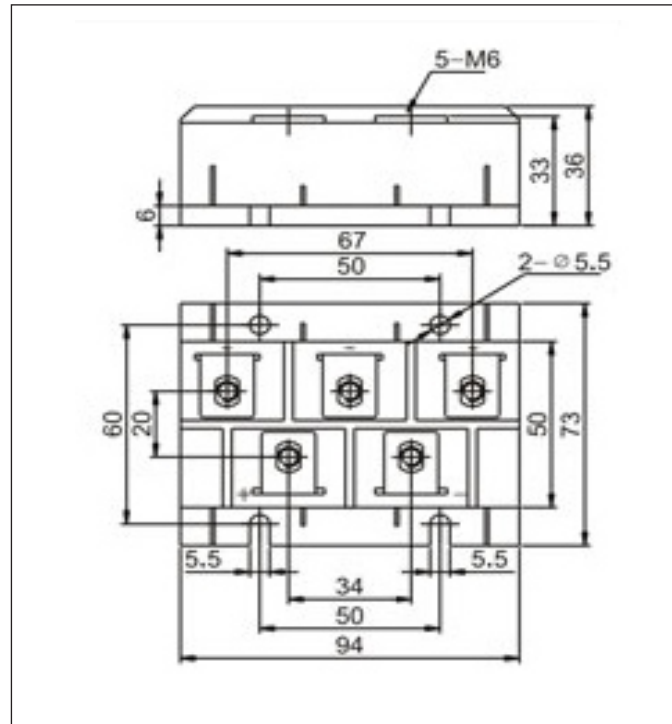
Symbol	Parameter	Test condition	Rating	Unit
I_{RRM}	Peak reverse repetitive current	Single-side heat dissipation, $V_R=V_{RRM}$, sine half wave, $T_j=150^{\circ}C$	15	mA
V_{FM}	Peak forward voltage	$I_{FM}=100A, T_j=25^{\circ}C$	1.35	V
$R_{th(j-c)}$	Thermal impedance junction-case	Single-side heat dissipation, sine half wave	0.1	$^{\circ}C/W$



CIRCUIT DIAGRAM



PACKAGE OUTLINE



All dimensions are in mm.

Insel Rectifiers (India) Pvt. Ltd.

(An ISO 9001:2015, ISO 14001:2015 Certified Company)

Plot No 151, Udyog Kendra , Extn.-II, Ecotech-III, Greater Noida-201306

Toll Free No.: 1800 3070 9989, Fax : 011-27491404

E-mail : insel@rectifierindia.com, sales@rectifierindia.com