

BRIDGE RECTIFIERS MD8BU100



FEATURES

- ☞ Reverse voltage up to 1600V
- ☞ Heat transfer and isolation through DBC
- ☞ Large, isolated copper base plate
- ☞ Easy chassis mounting

TYPICAL APPLICATIONS

- ☞ Single phase rectifiers for power supplies
- ☞ Input rectifiers for variable frequency drivers
- ☞ Rectifiers for DC motor
- ☞ Battery chargers

**BRIDGE
RECTIFIERS
MD8BU100**



TECHNICAL DATA

DEVICE TYPE

V_{RRM}
(V)

V_{RSM}
(V)

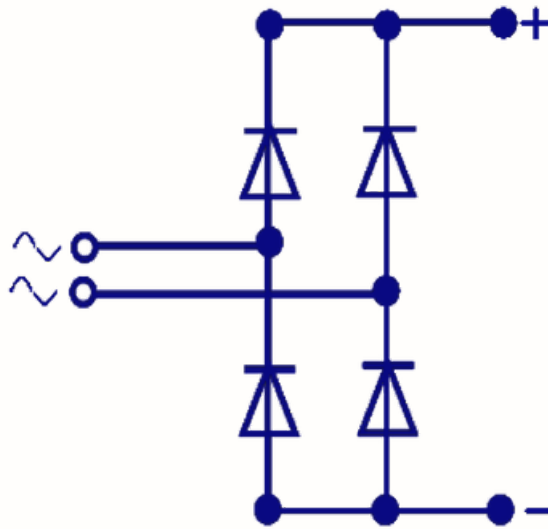
MD8BU100/04	400	500
MD8BU100/12	1200	1300
MD8BU100/16	1600	1700

SYMBOL	CONDITIONS	VALUES
$I_{F(AV)}$	Maximum average forward Current $T_c = 85^\circ\text{C}$	110A
V_{FM}	Maximum peak forward Voltage drop @ 150 AP	1.35V
I_{FSM}	Maximum peak one cycle (non-rep.) surge current 10 msec	1100 A
I^2t	Max. I^2t rating (non-rep.) for 10 msec	6600A ² Sec
I_{RRM}	Peak reverse current at $T_{vj} = 125^\circ\text{C}$	10 mA
V_0 R_0	$T_{vj} = \text{max}$	0.85 V 5 m Ω
$R_{th(j-c)}$ $R_{th(j-c)}$ T_{vj} T_{stg}	Maximum thermal resistance (Junction to case) Maximum thermal resistance (Case to heat sink) Junction temperature Storage temperature	0.85°C/W 0.14°C/W 125 °C 125 °C
Mounting torque		5 Nm/Bolt
Weight	Approx.	165 gms
$V_{(isol)}$	Ac 50 Hz rms 1 min	3000 volts
Package Outline		IR-21

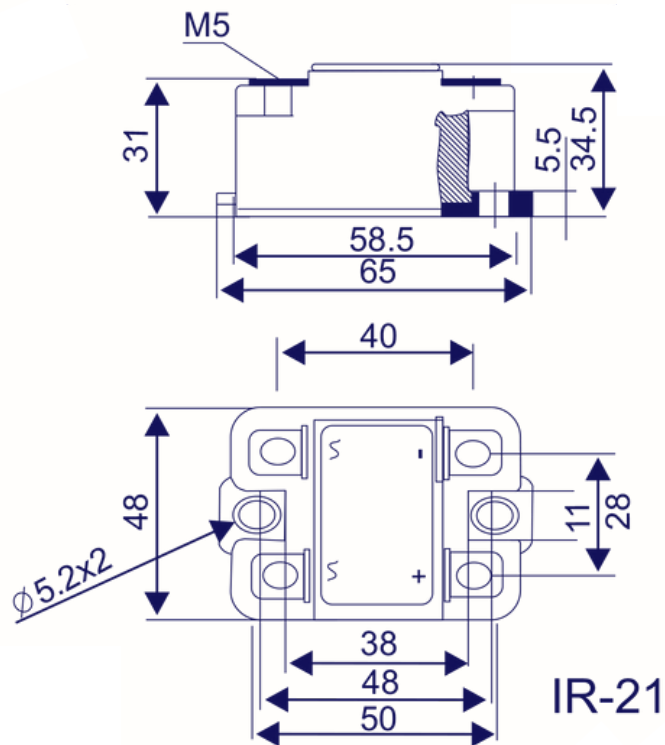
**BRIDGE
RECTIFIERS
MD8BU100**



CIRCUIT DIAGRAM



PACKAGE OUTLINE



all dimensions in mm