

BRIDGE RECTIFIERS MD6TU60



FEATURES

- ☞ **Reverse voltage up to 1600V**
- ☞ **Heat transfer and isolation through DBC**
- ☞ **Large, isolated copper base plate**
- ☞ **Easy chassis mounting**

TYPICAL APPLICATIONS

- ☞ **Three phase rectifiers for power supplies**
- ☞ **Input rectifiers for variable frequency drivers**
- ☞ **Rectifiers for DC motor**
- ☞ **Battery chargers**

**BRIDGE
RECTIFIERS
MD6TU60**



TECHNICAL DATA

DEVICE TYPE

V_{RRM}
(V)

V_{RSM}
(V)

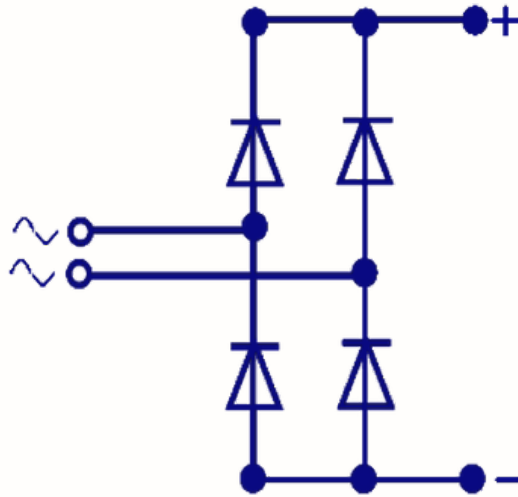
MD6TU60/04	400	500
MD6TU60/12	1200	1300
MD6TU60/16	1600	1700

SYMBOL	CONDITIONS	VALUES
$I_{F(AV)}$	Maximum average forward Current $T_c = 110^{\circ}C$	60A
V_{FM}	Maximum peak forward Voltage drop @ 150 AP	1.8 V
I_{FSM}	Maximum peak one cycle (non-rep.) surge current 10 msec	750 A
I^2t	Max. I^2t rating (non-rep.) for 10 msec	2800 A ² Sec
I_{RRM}	Peak reverse current at $T_{vj} = 175^{\circ}C$	10 mA
V_0 R_0	$T_{vj} = \max$	0.85 V 8 m Ω
$R_{th(j-c)}$ $R_{th(j-c)}$ T_{vj} T_{stg}	Maximum thermal resistance (Junction to case) Maximum thermal resistance (Case to heat sink) Junction temperature Storage temperature	0.45°C/W 0.06°C/W 150 °C 150 °C
Mounting torque		5 Nm/Bolt
Weight	Approx.	250 gms
Package Outline		IR-23

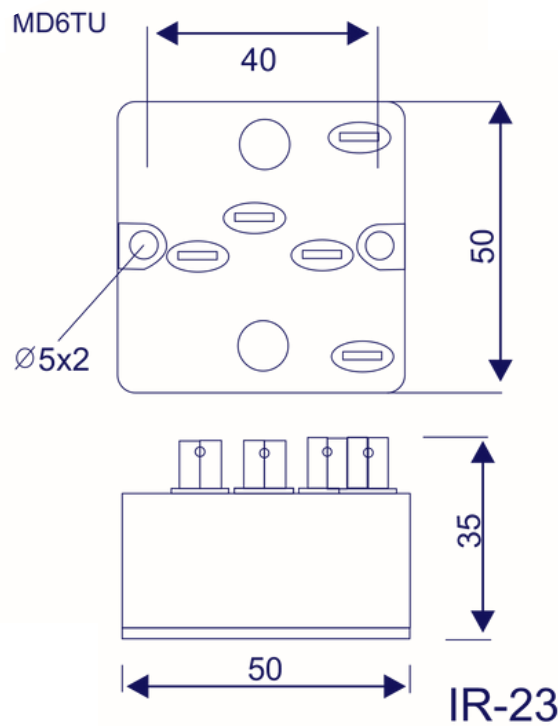
**BRIDGE
RECTIFIERS
MD6TU60**



CIRCUIT DIAGRAM



PACKAGE OUTLINE



all dimensions in mm