

BRIDGE RECTIFIERS MD6TU25



FEATURES

- ☞ **Reverse voltage up to 1600V**
- ☞ **Heat transfer and isolation through DBC**
- ☞ **Large, isolated copper base plate**
- ☞ **Easy chassis mounting**

TYPICAL APPLICATIONS

- ☞ **Three phase rectifiers for power supplies**
- ☞ **Input rectifiers for variable frequency drivers**
- ☞ **Rectifiers for DC motor**
- ☞ **Battery chargers**

**BRIDGE
RECTIFIERS**
MD6TU25



TECHNICAL DATA

DEVICE TYPE

V_{RRM}
(V)

V_{RSM}
(V)

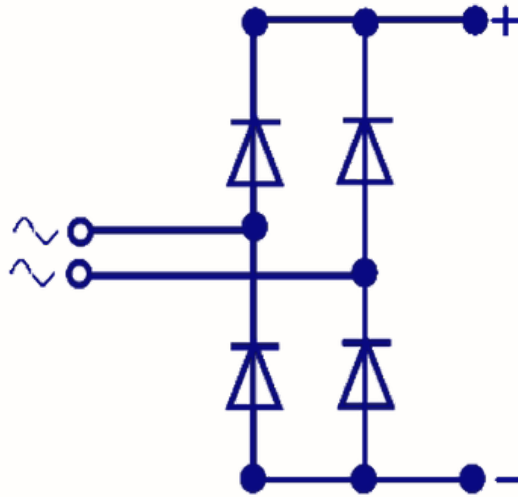
MD6TU25/04	400	500
MD6TU25/12	1200	1300
MD6TU25/16	1600	1700

SYMBOL	CONDITIONS	VALUES
I _{F(AV)}	T _a = 45 °C inductive load.	31A
V _{FM}	Maximum peak forward Voltage drop @ 150 AP	2.2 V
I _{FSM}	Maximum peak one cycle (non-rep.) surge current 10 msec	370 A
I ² t	Max. I ² t rating (non-rep.) for 10 msec	680 A ² Sec
I _{RRM}	Peak reverse current at T _{vj} = 175°C	5 mA
R _{th(j-c)}	Maximum thermal resistance (Junction to case)	0.7°C/W
R _{th(j-c)}	Maximum thermal resistance (Case to heat sink)	0.1°C/W
T _{vj}	Junction temperature	150 °C
T _{stg}	Storage temperature	150 °C
Mounting torque		5 Nm/Bolt
Weight	Approx.	125 gms
Package Outline		IR-23

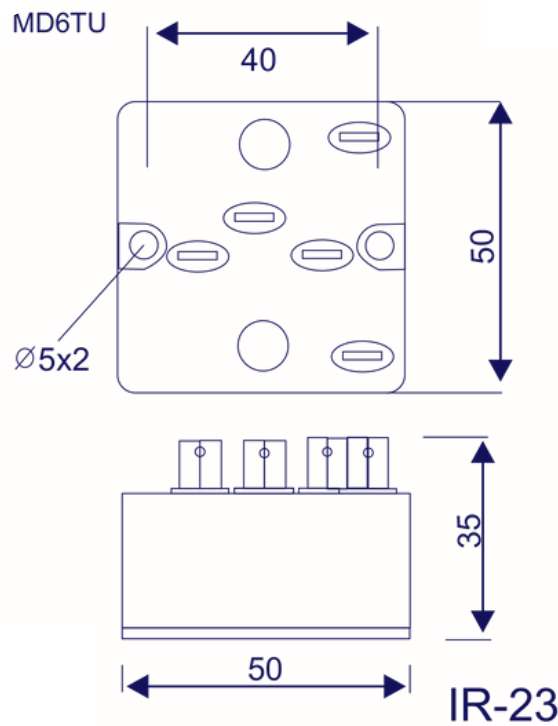
**BRIDGE
RECTIFIERS
MD6TU25**



CIRCUIT DIAGRAM



PACKAGE OUTLINE



all dimensions in mm