

Insel Rectifiers (India) Pvt. Ltd.

151, 152 Udyog Kendra Extn II, Ecotech III
Greater Noida: 201306, U.P., India

☎ 1800 3070 9989 ✉ insel@rectifierindia.com

🌐 www.rectifierindia.com

BRIDGE RECTIFIERS MD6BU50



FEATURES

- ☞ Reverse voltage up to 1600V
- ☞ Heat transfer and isolation through ceramic
- ☞ Large, isolated copper base plate
- ☞ Easy chassis mounting

TYPICAL APPLICATIONS

- ☞ Single phase rectifiers for power supplies
- ☞ Input rectifiers for variable frequency drivers
- ☞ Rectifiers for DC motor
- ☞ Battery chargers

**BRIDGE
RECTIFIERS
MD6BU50**



TECHNICAL DATA

DEVICE TYPE

V_{RRM}
(V)

V_{RSM}
(V)

MD6BU50/04	400	500
MD6BU50/12	1200	1300
MD6BU50/16	1600	1700

SYMBOL	CONDITIONS	VALUES
I _{F(AV)}	T _a = 35 °C	47A
V _{FM}	Maximum peak forward Voltage drop @ 150 AP	1.60 V
I _{FSM}	Maximum peak one cycle (non-rep.) surge current 10 msec	750 A
I ² t	Max. I ² t rating (non-rep.) for 10 msec	2800A ² Sec
I _{RRM}	Peak reverse current at T _{vj} = 150°C	10 mA
R _{th(j-a)}	Junction to ambient	0.71°C/W
T _{vj}	Junction temperature	150 °C
T _{stg}	Storage temperature	150 °C
Mounting torque		5 Nm/Bolt
Weight	Approx.	150 gms
Package Outline		IR-20

BRIDGE RECTIFIERS
MD6BU50

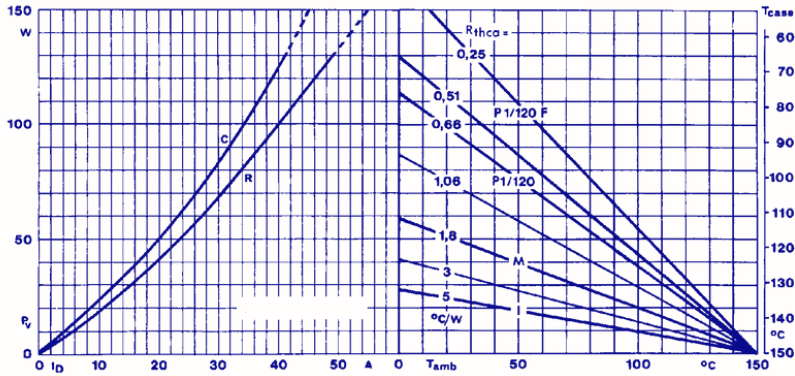


FIG. 1

power dissipation vs. output current and case temperature

FIG. 2

power dissipation vs. output current and case temperature

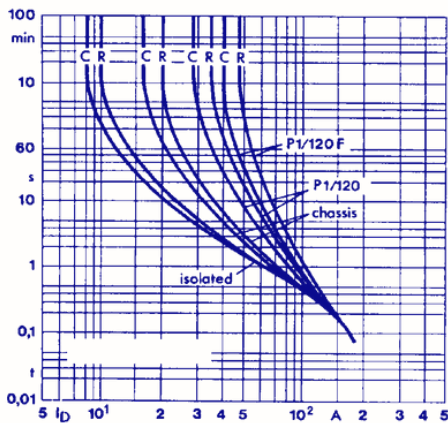
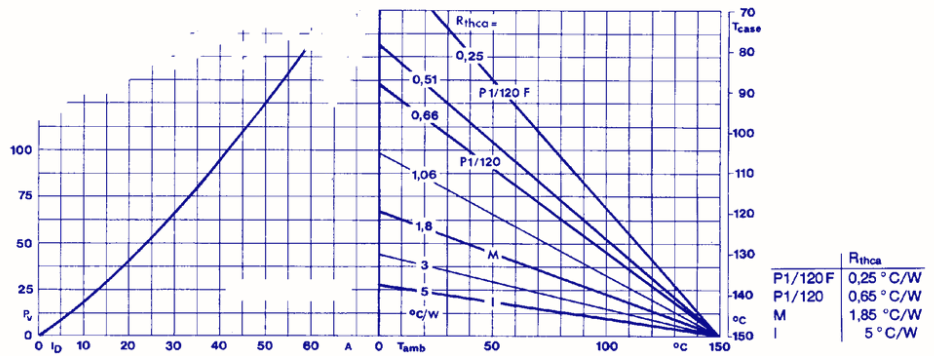


FIG. 3

rated overload current vs. time

**BRIDGE
RECTIFIERS
MD6BU50**

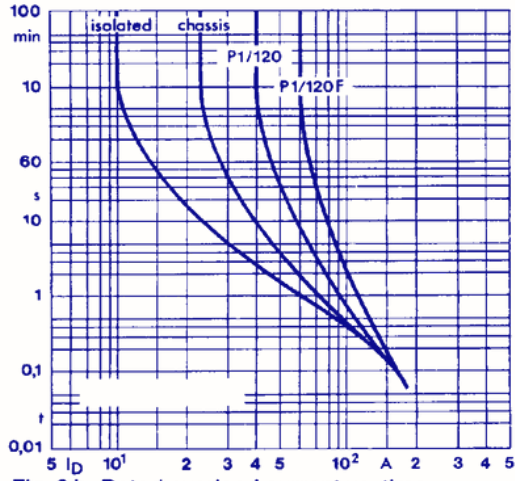
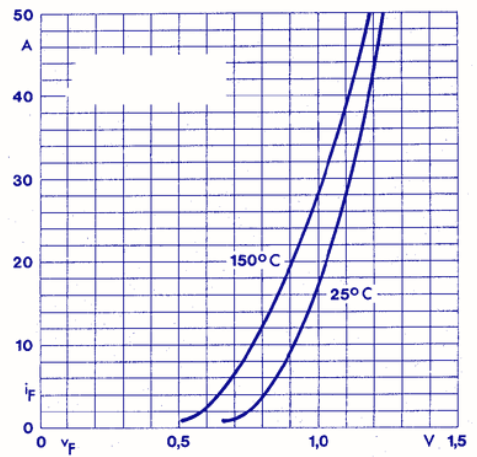


FIG. 4 rated overload current vs. time

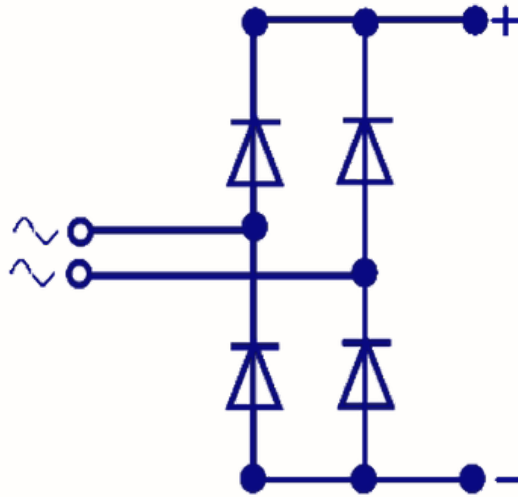
FIG. 5 forward characteristics of a single diode



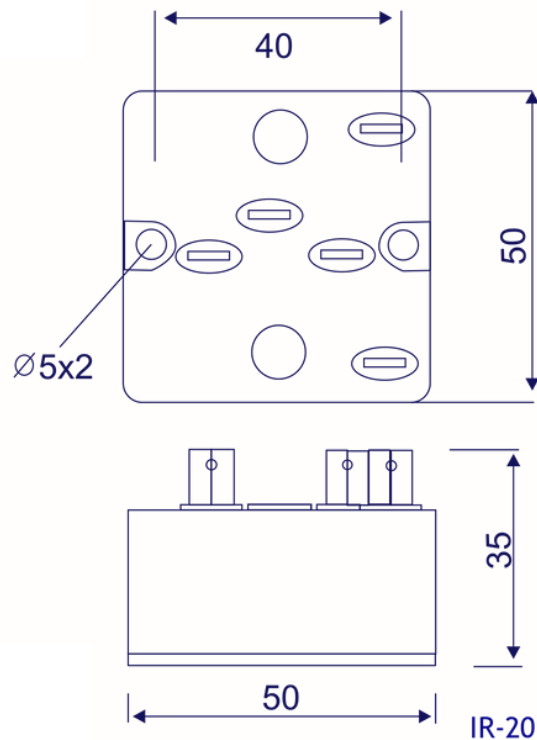
**BRIDGE
RECTIFIERS
MD6BU50**



CIRCUIT DIAGRAM



PACKAGE OUTLINE



all dimensions in mm