

Insel Rectifiers (India) Pvt. Ltd.

151, 152 Udyog Kendra Extn II, Ecotech III
Greater Noida: 201306, U.P., India

☎ 1800 3070 9989 ✉ insel@rectifierindia.com

🌐 www.rectifierindia.com

BRIDGE RECTIFIERS MD6BU25



FEATURES

- ☞ **Reverse voltage up to 1600V**
- ☞ **Heat transfer and isolation through ceramic**
- ☞ **Large, isolated copper base plate**
- ☞ **Easy chassis mounting**

TYPICAL APPLICATIONS

- ☞ **Single phase rectifiers for power supplies**
- ☞ **Input rectifiers for variable frequency drivers**
- ☞ **Rectifiers for DC motor**
- ☞ **Battery chargers**

**BRIDGE
RECTIFIERS**
MD6BU25



TECHNICAL DATA

DEVICE TYPE

V_{RRM}
(V)

V_{RSM}
(V)

MD6BU25/04	400	500
MD6BU25/12	1200	1300
MD6BU25/16	1600	1700

SYMBOL	CONDITIONS	VALUES
I _{F(AV)}	T _a = 45 °C inductive load.	29A
V _{FM}	Maximum peak forward Voltage drop @ 150 AP	2.2 V
I _{FSM}	Maximum peak one cycle (non-rep.) surge current 10 msec	370 A
I ² t	Max. I ² t rating (non-rep.) for 10 msec	680 A ² Sec
I _{RRM}	Peak reverse current at T _{vj} = 175°C	5 mA
R _{th(j-c)}	Junction to heat sink	0.8°C/W
T _{vj}	Junction temperature	150 °C
T _{stg}	Storage temperature	150 °C
Mounting torque		5 Nm/Bolt
Weight	Approx.	125 gms
Package Outline		IR-20

BRIDGE RECTIFIERS
MD6BU25

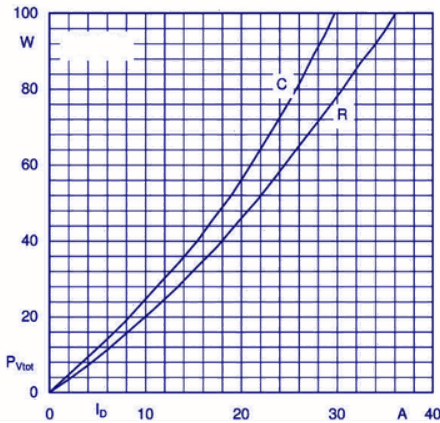


FIG. 1 3L power dissipation vs. output current

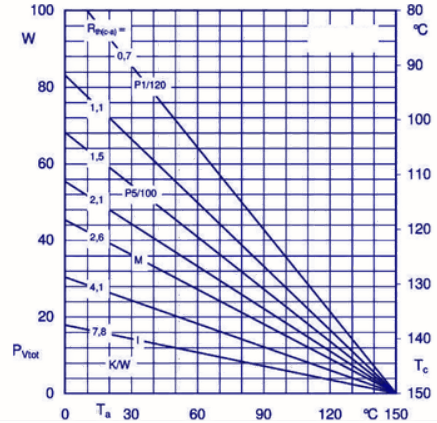


FIG. 2 3R power dissipation vs. case temperature

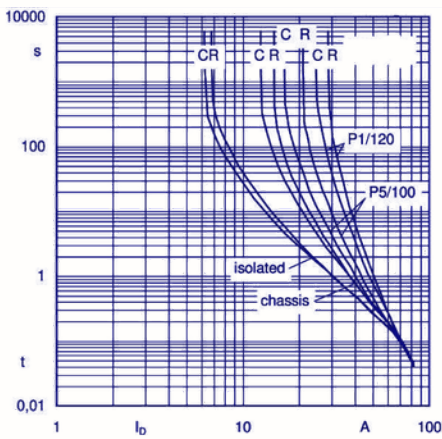


FIG. 3 rated overload characteristics vs. time

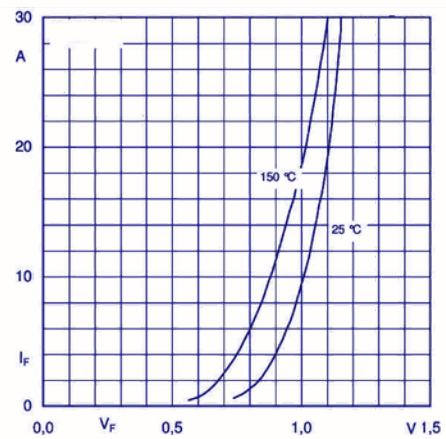
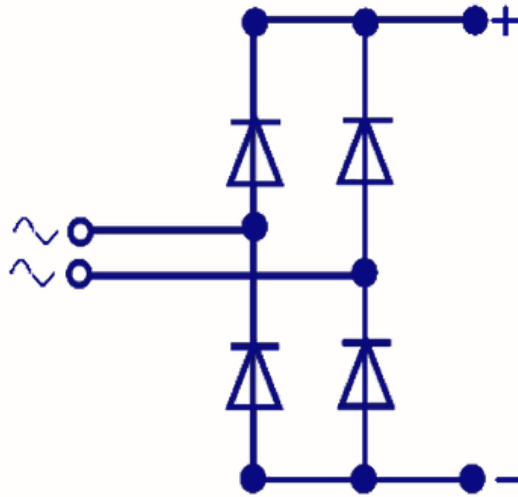


FIG. 4 forward characteristics of a diode arm

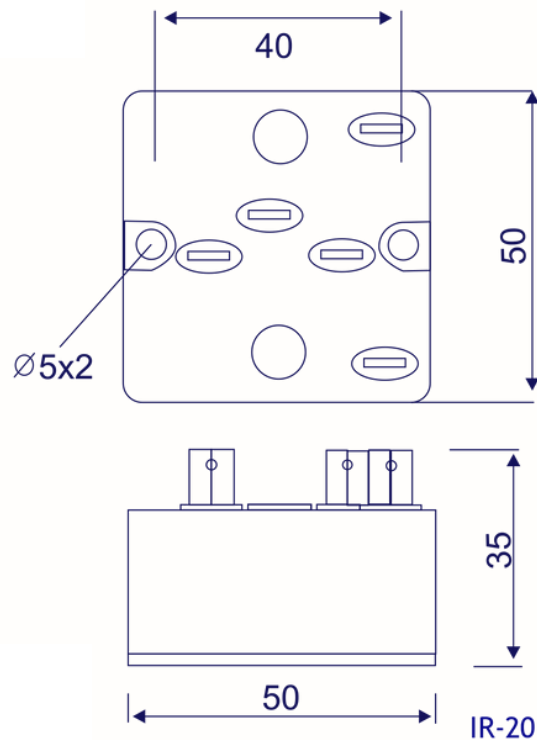
**BRIDGE
RECTIFIERS
MD6BU25**



CIRCUIT DIAGRAM



PACKAGE OUTLINE



all dimensions in mm