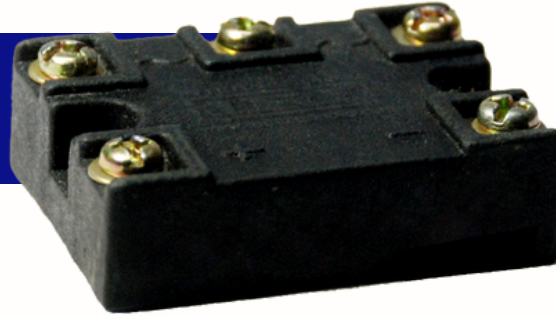


BRIDGE RECTIFIERS MD5TU10



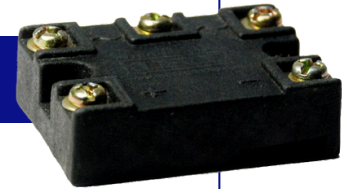
FEATURES

- ☞ **Reverse voltage up to 1600V**
- ☞ **Heat transfer and isolation through DBC**
- ☞ **Robust plastic case with screw terminals**
- ☞ **Large, isolated copper base plate**
- ☞ **Easy chassis mounting**

TYPICAL APPLICATIONS

- ☞ **Three phase rectifiers for power supplies**
- ☞ **Input rectifiers for variable frequency drivers**
- ☞ **Rectifiers for DC motor**
- ☞ **Battery chargers**

**BRIDGE
RECTIFIERS
MD5TU10**



TECHNICAL DATA

DEVICE TYPE

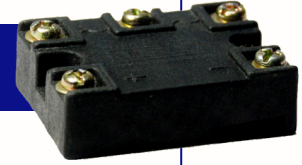
V_{RRM}
(V)

V_{RSM}
(V)

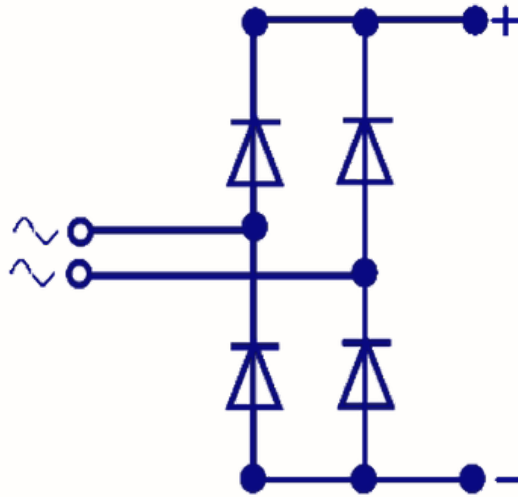
MD5TU10/04	400	500
MD5TU10/12	1200	1300
MD5TU10/16	1600	1700

SYMBOL	CONDITIONS	VALUES
$I_{F(AV)}$	Ta = 25°C cductive load.	15A
V_{FM}	Maximum peak forward Voltage drop @ 30	1.75 V
I_{FSM}	Maximum peak one cycle (non-rep.) surge current 10 msec	180 A
I^2t	Max. I^2t rating (non-rep.) for 10 msec	160 A ² Sec
I_{RRM}	Peak reverse current at Tvj = 175°C	10 mA
V_0 R_0	Tvj=max Tvj=max	0.85 V 30 mΩ
$R_{th(j-c)}$ Tvj Tstg	told Junction temperature Storage temperature	3 °C/W 150 °C 150 °C
Mounting torque		2 Nm
Weight	Approx.	35 gms
Package Outline		IR -22

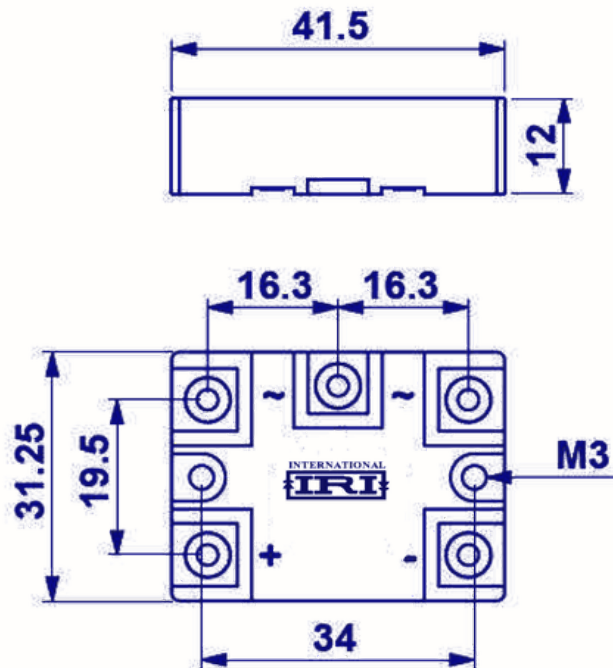
**BRIDGE
RECTIFIERS
MD5TU10**



CIRCUIT DIAGRAM



PACKAGE OUTLINE



IR -22

all dimensions in mm