

FEATURES

- Reverse voltage up to 1600V
- Heat transfer and isolation through Epoxy
- Robust plastic case with screw terminals
- Large, isolated copper base plate
- Easy chassis mounting

TYPICAL APPLICATIONS

- Single phase rectifiers for power supplies
- Input rectifiers for variable frequency drivers
- Rectifiers for DC motor
- Battery chargers

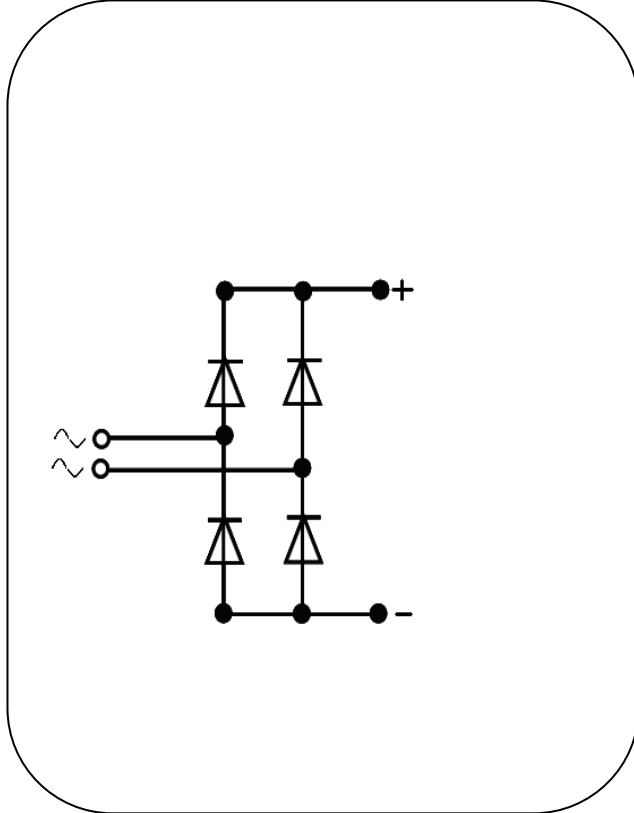
TECHNICAL DATA

DEVICE TYPE	V_{RRM} (V)	V_{RSM} (V)
MD5BU10/04	400	500
MD5BU10/12	1200	1300
MD5BU10/16	1600	1700

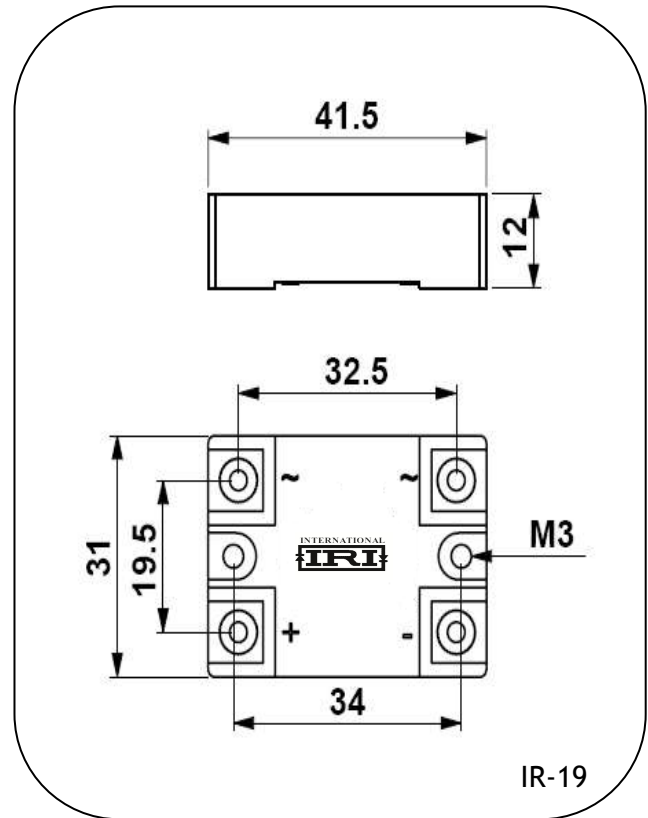


SYMBOL	CONDITIONS	VALUES
I_{F(AV)}	Ta = 25°C inductive load.	10A
V_{FM}	Maximum peak forward Voltage drop @ 30 Amp peak	1.30 V
I_{FSM}	Maximum peak one cycle (non-rep.) surge current 10 msec	180 A
I²t	Max. I ² t rating (non-rep.) for 10 msec	160 A ² Sec
I_{RRM}	Peak reverse current at Tvj = 175°C	5 mA
V₀	Tvj=max	0.85 V
R₀	Tvj=max	3.0 mΩ
R_{th(j-c)}	total	4°C/W
Tvj	Junction temperature	150 °C
Tstg	Storage temperature	150 °C
Mounting torque		2 Nm/Bolt
Weight	Approx.	30 gms
Package Outline		IR-19

CIRCUIT DIAGRAM



PACKAGE OUTLINE



All dimensions are in mm.

Insel Rectifiers (India) Pvt. Ltd.

(An ISO 9001:2015, ISO 14001:2015 Certified Company)

Plot No 151, Udyog Kendra, Extn.-II, Ecotech-III, Greater Noida-201306

Toll Free No.: 1800 3070 9989, Fax : 011-27491404

E-mail : insel@rectifierindia.com, sales@rectifierindia.com