

POWER DIODE

860NU/RU



FEATURES

- ☞ **Available in Normal & Reverse Polarity**
- ☞ **All Diffused Series**
- ☞ **Industrial Grade**
- ☞ **Pressure Contact Device**

TYPICAL APPLICATIONS

- ☞ **Power Supplies**
- ☞ **Machine Tool Controls**
- ☞ **Battery Chargers**
- ☞ **Welders**
- ☞ **Traction**

POWER DIODE

860NU/RU



TECHNICAL DATA

DEVICE TYPE

V_{RRM}
(V)

V_{RSM}
(V)

| | | |
|-------------|------|------|
| 860NU/RU120 | 1200 | 1300 |
| 860NU/RU160 | 1600 | 1700 |
| 860NU/RU180 | 1800 | 1900 |

| SYMBOL | CONDITIONS | VALUES |
|---|--|--|
| $I_{F(AV)}$ | Maximum average forward Current $T_c = 80^{\circ}C$ | 860A |
| V_{FM} | Maximum peak forward Voltage drop @ 1500 AP | 1.65 V |
| I_{FSM} | Maximum peak one cycle (non-rep.) surge current 10 msec | 16000A |
| I^2t | Max. I^2t rating (non-rep.) for 10 msec | 725000 A ² Sec |
| I_{RRM} | Peak reverse current at $T_{vj} = 175^{\circ}C$ | 50 mA |
| V_0 R_0 | $T_{vj} = \max$ $T_{vj} = \max$ | 0.67 V 0.310 m Ω |
| $R_{th(j-c)}$ $R_{th(c-h)}$ T_{vj} T_{stg} | Maximum thermal resistance (Junction to case) Maximum thermal resistance (Case to heat sink) Junction temperature Storage temperature | 0.65 $^{\circ}C/W$ 0.02 $^{\circ}C/W$ 160 $^{\circ}C$ 180 $^{\circ}C$ |
| Mounting torque | | 15 Nm/Per Bolt |
| Weight | Approx. | 760 gms |
| Package Outline | | U |

POWER DIODE
860NU/RU

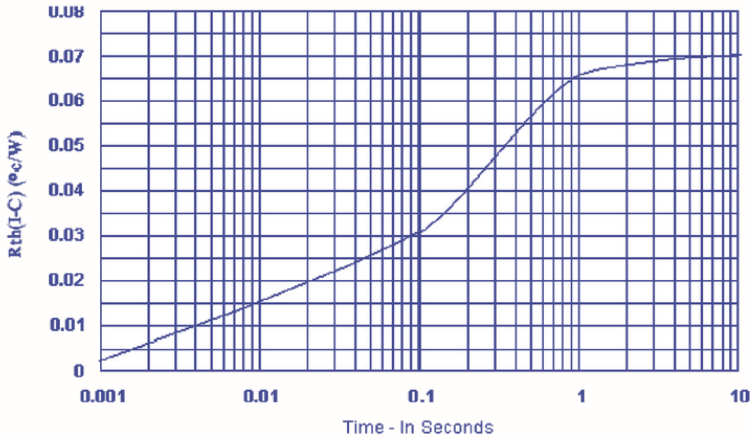


FIG. 1 transient thermal impedance junction to case

FIG. 2 max on state characteristics

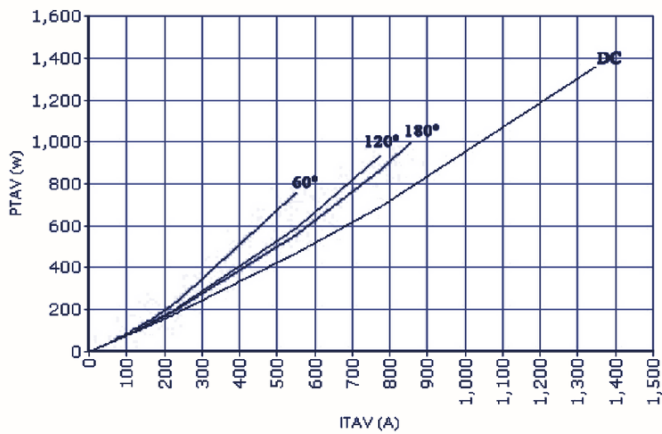
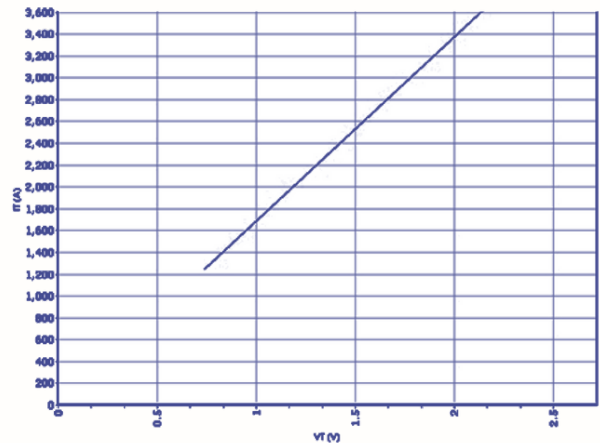


FIG. 3 max non repetitive surge current

POWER DIODE
860 NU/RU

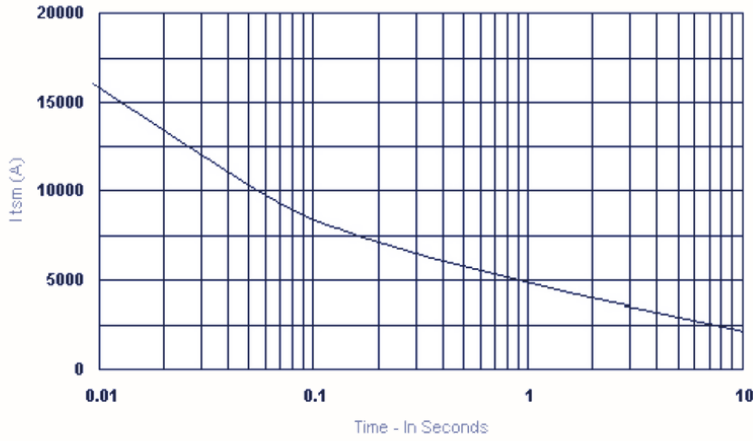
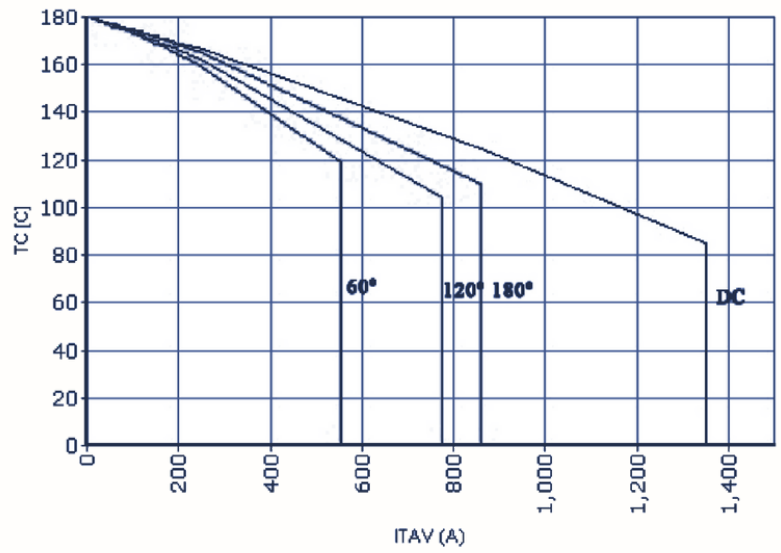


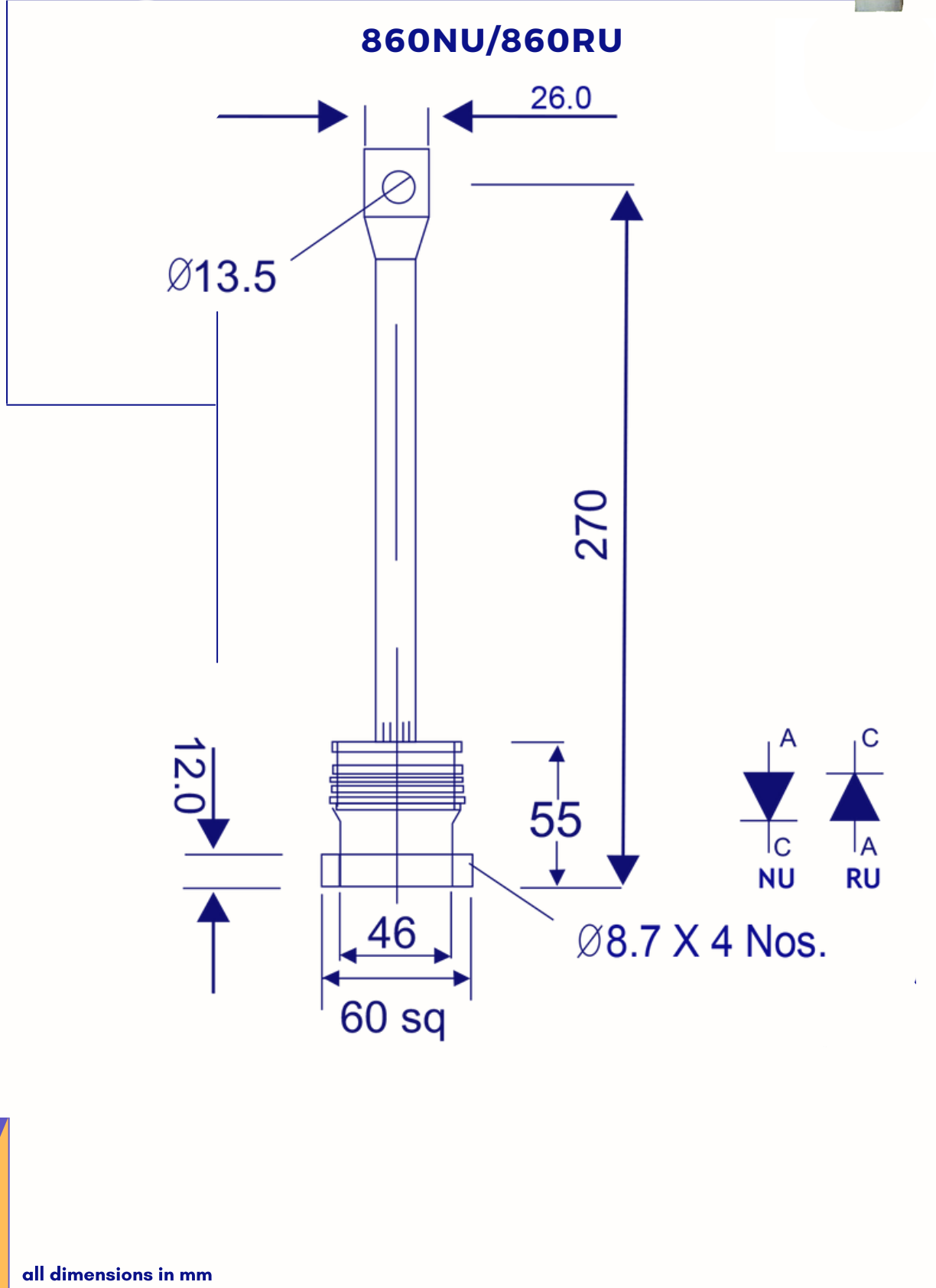
FIG. 4 max non repetitive surge current

FIG. 5 max non repetitive surge current





PACKAGE OUTLINE



all dimensions in mm