

POWER DIODE

570NU/RU



FEATURES

- 👉 **Available in Normal & Reverse Polarity**
- 👉 **All Diffused Series**
- 👉 **Industrial Grade**
- 👉 **Pressure Contact Device**

TYPICAL APPLICATIONS

- 👉 **Power Supplies**
- 👉 **Machine Tool Controls**
- 👉 **Battery Chargers**
- 👉 **Welders**
- 👉 **Traction**

POWER DIODE

570NU/RU



TECHNICAL DATA

DEVICE TYPE

V_{RRM}
(V)

V_{RSM}
(V)

570NU/RU120	1200	1300
570NU/RU180	1800	1900
570NU/RU320	3200	3300
570NU/RU430	4300	4400

SYMBOL	CONDITIONS	VALUES
$I_{F(AV)}$	Maximum average forward Current $T_c = 80^{\circ}C$	570A
V_{FM}	Maximum peak forward Voltage drop @ 1500 AP	1.65 V
I_{FSM}	Maximum peak one cycle (non-rep.) surge current 10 msec	12000A
I^2t	Max. I^2t rating (non-rep.) for 10 msec	725000 A ² Sec
I_{RRM}	Peak reverse current at $T_{vj} = 175^{\circ}C$	50 mA
V_0 R_0	$T_{vj} = \max$ $T_{vj} = \max$	0.75 V 0.44 m Ω
$R_{th(j-c)}$ $R_{th(c-h)}$ T_{vj} T_{stg}	Maximum thermal resistance (Junction to case) Maximum thermal resistance (Case to heat sink) Junction temperature Storage temperature	0.065 $^{\circ}C/W$ 0.02 $^{\circ}C/W$ 180 $^{\circ}C$ 180 $^{\circ}C$
Mounting torque		15 Nm/Per Bolt
Weight	Approx.	760 gms
Package Outline		U

POWER DIODE
570NU/RU



FIG. 1 max allowable case temperature

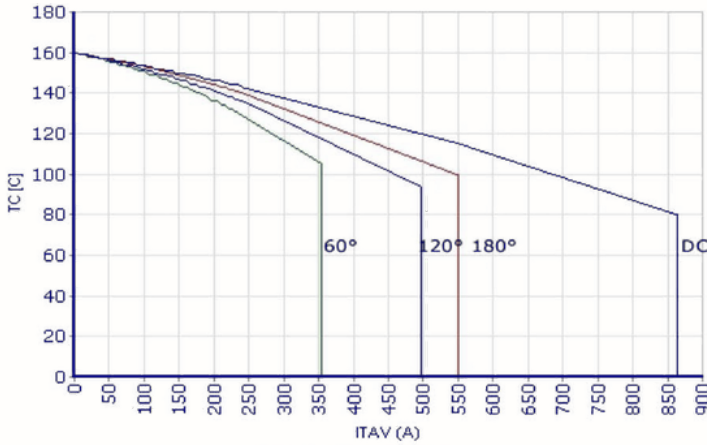


FIG. 2 on state power loss

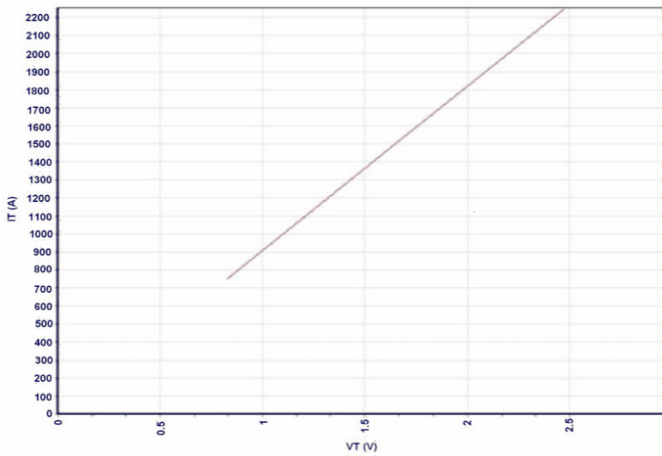
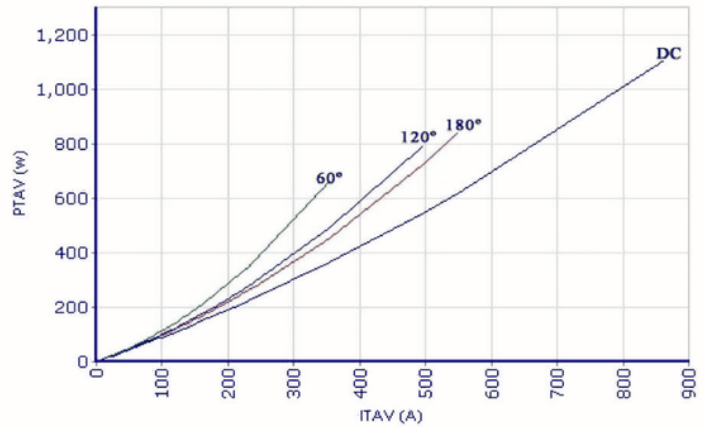


FIG. 3 max on state characteristic

POWER DIODE
570NU/RU

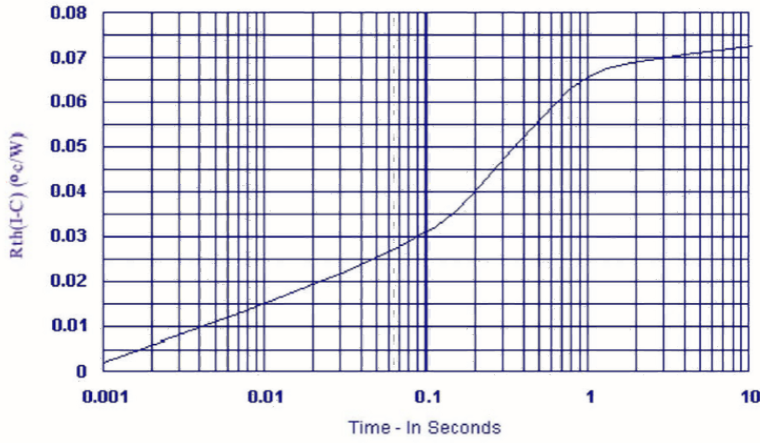
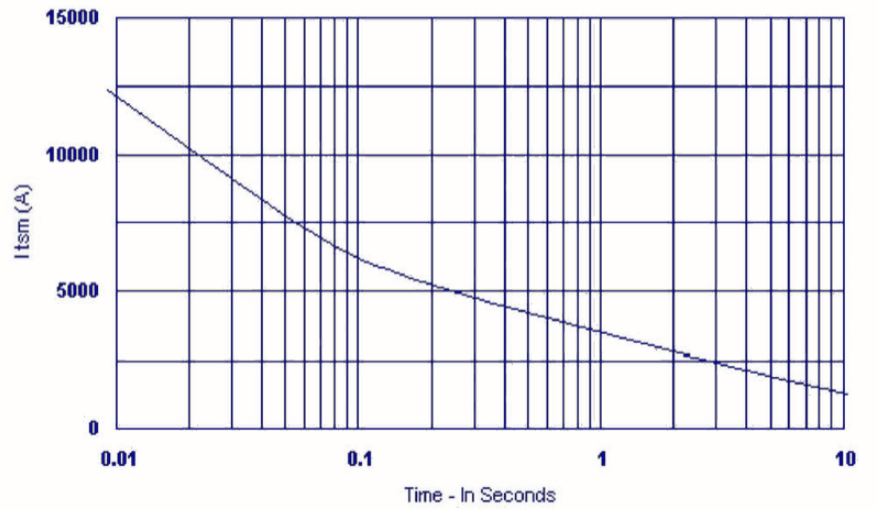


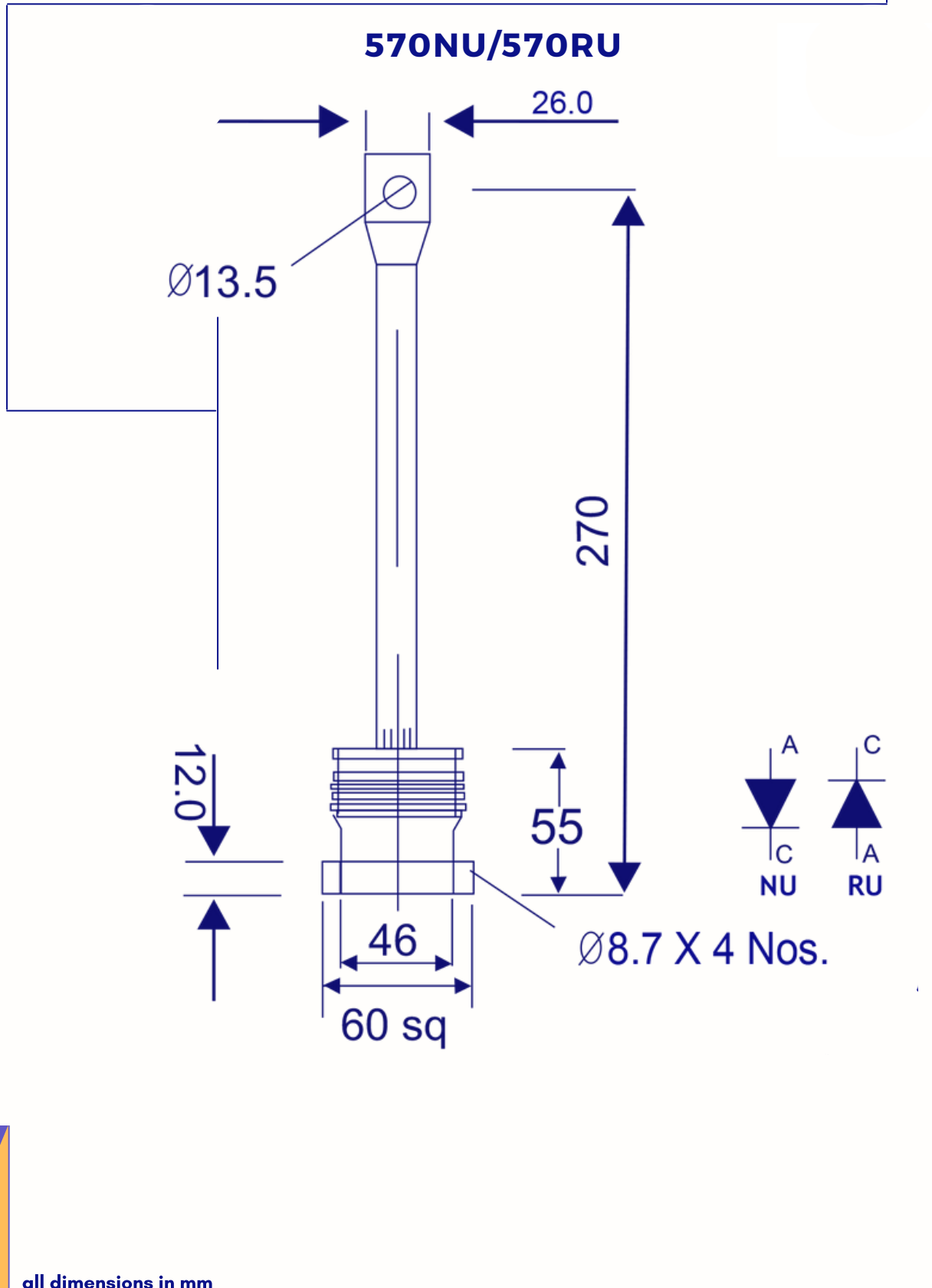
FIG. 4 transient thermal impedance junction to case

FIG. 5 max non repetitive surge current





PACKAGE OUTLINE



all dimensions in mm